

Comments on the IMR54.

Please change the following resistor values:

R110 13.6 Ohms

R111 13.6 Ohms

R113 6.85 Ohms

R114 6.85 Ohms

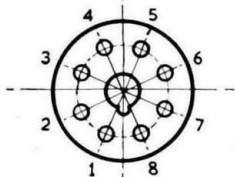
R115 2.3 Ohms

Please add the following capacitors:

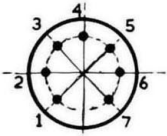
C187 20 pF Silvered Mica (as C186)

C94 and C160, probably 0.01 μ F (as C178)

TM 22/11-2007



OCTAL SERIES.



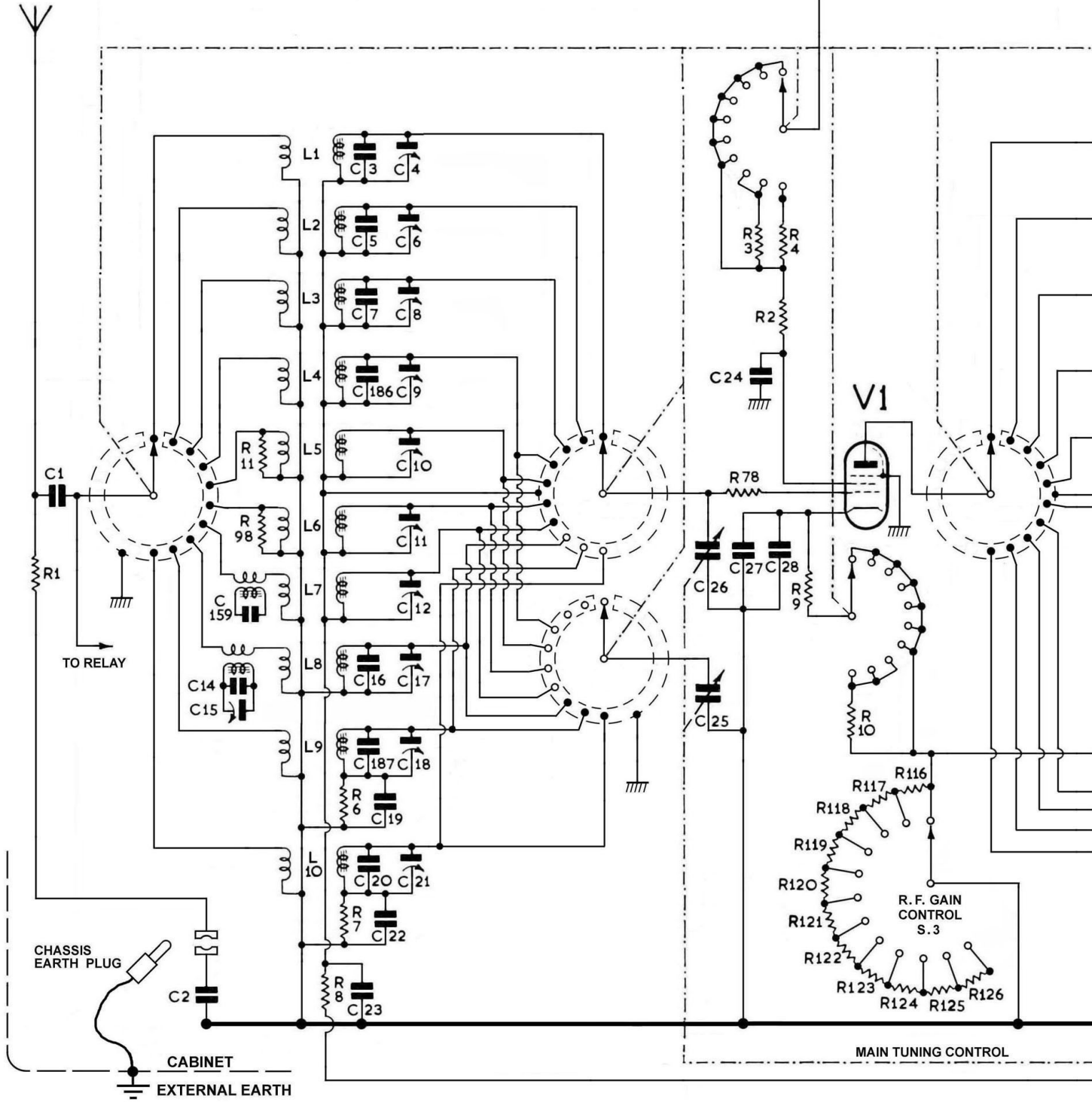
B7G SERIES.

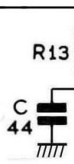
VALVE	V.No	PIN CONNECTIONS								SERIES.
		1	2	3	4	5	6	7	8	
6BA6	V1,2,6,7 8,8	G1	G3	H	H	A	G2	K	-	B7G.
6BE6	V3	G1	K	H	H	A	G2	G3	-	B7G.
6AU6	V4 & 5	G1	G3	H	H	A	G2	K	-	B7G.
6AT6	V9	G	K	H	H	D1	D2	A	-	B7G.
25L6G	V10	-	H	A	G2	G1	-	H	K G3	OCTAL.
VR 75/30	V12	-	K	-	-	A	-	-	-	OCTAL.
6AL5	V11	K1	A2	H	H	K2	S	A1	-	B7G.

NOTE:

DENOTES TRUE EXTERNAL EARTH TO SHIP'S HULL

DENOTES CHASSIS EARTH





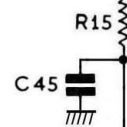
NOTE 2:

THIS RECEIVER IS BASICALLY 100 - 115 V AC OR DC. IF USED WITH HIGHER D.C. VOLTAGES AN EXTERNAL DROPPING RESISTOR UNIT IS NECESSARY. IN THE CASE OF A.C. AN EXTERNAL STEP-DOWN TRANSFORMER MAY BE USED. FOR 100 - 115 V D.C. OR A.C. ONLY GREEN AND RED CORES OF THE MAINS CABLE MUST BE CONNECTED TOGETHER.



NOTE 3:

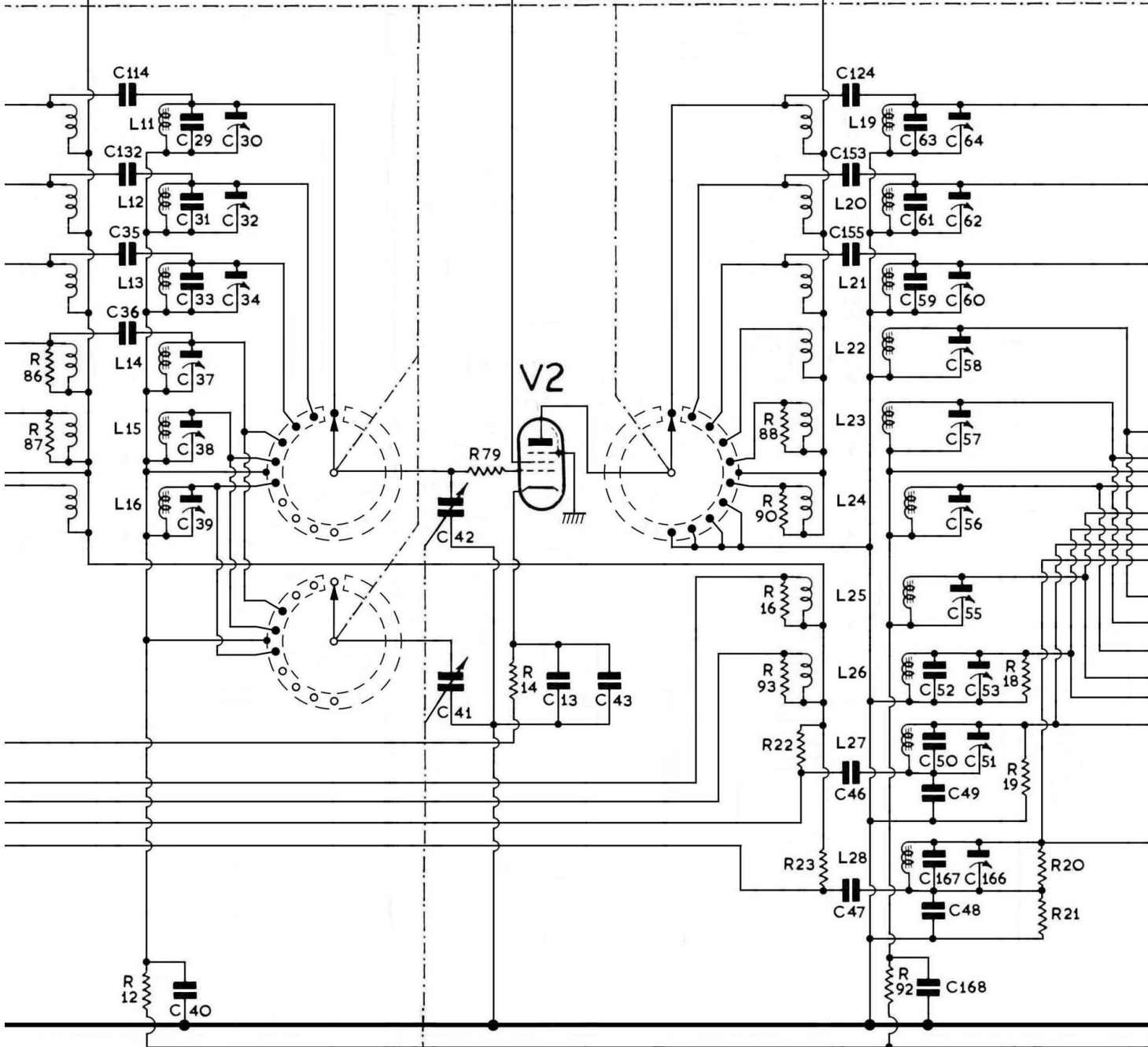
RELAY COILS IN SERIES FOR 12 - 24 V., PARALLELL FOR 6 - 12 V., AS SHIPPED COILS ARE SET FOR 6 - 12 V.

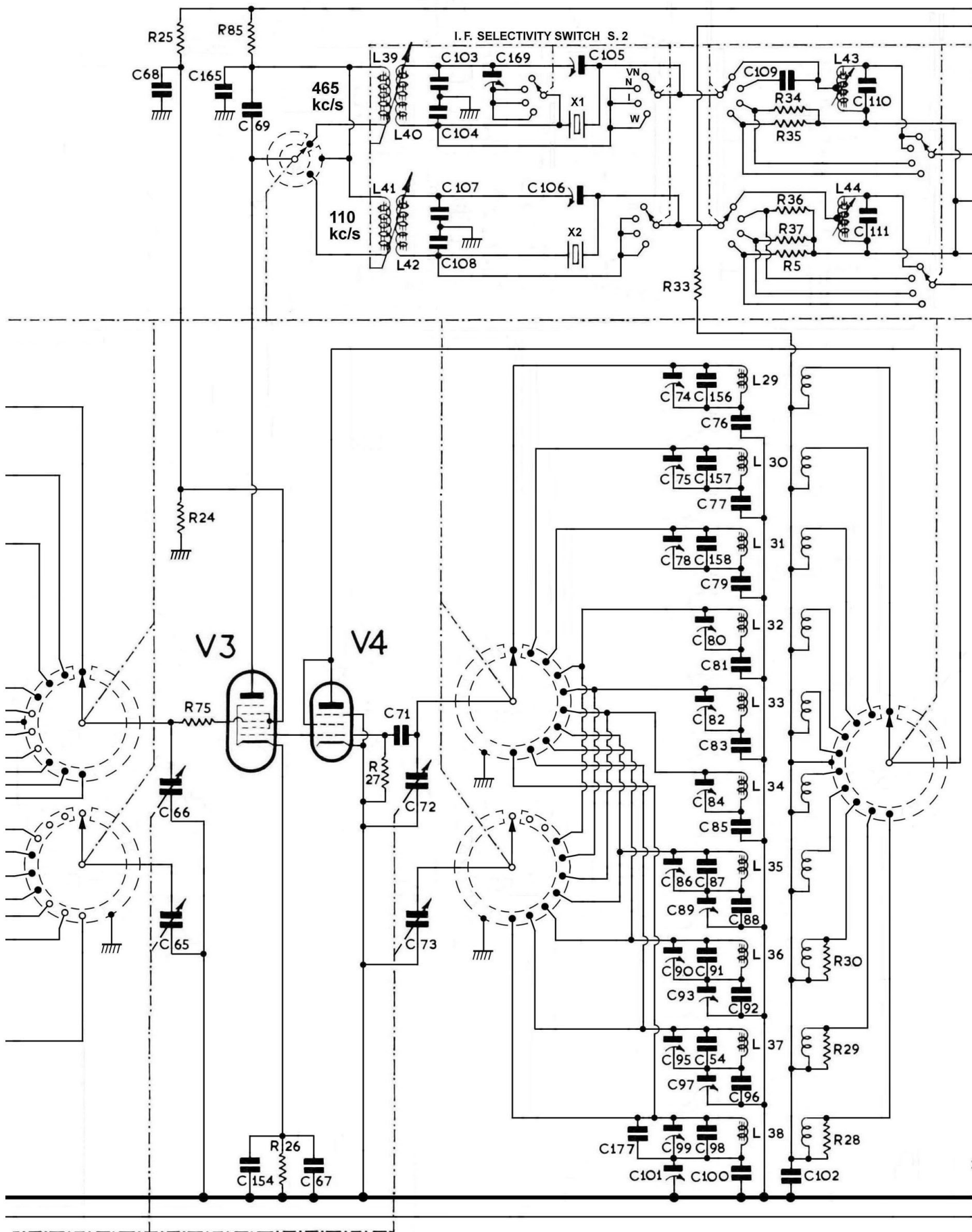


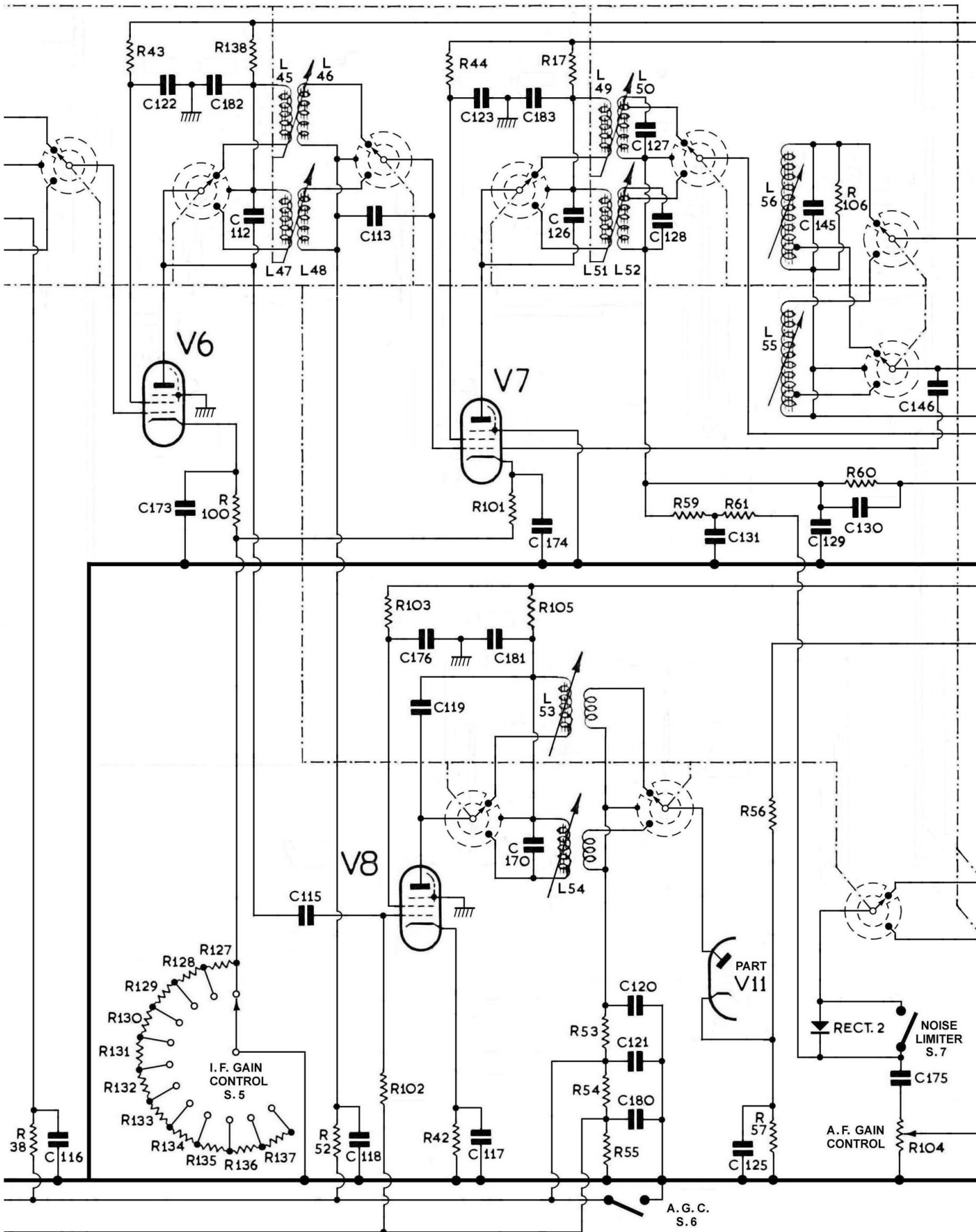
IMPORTANT

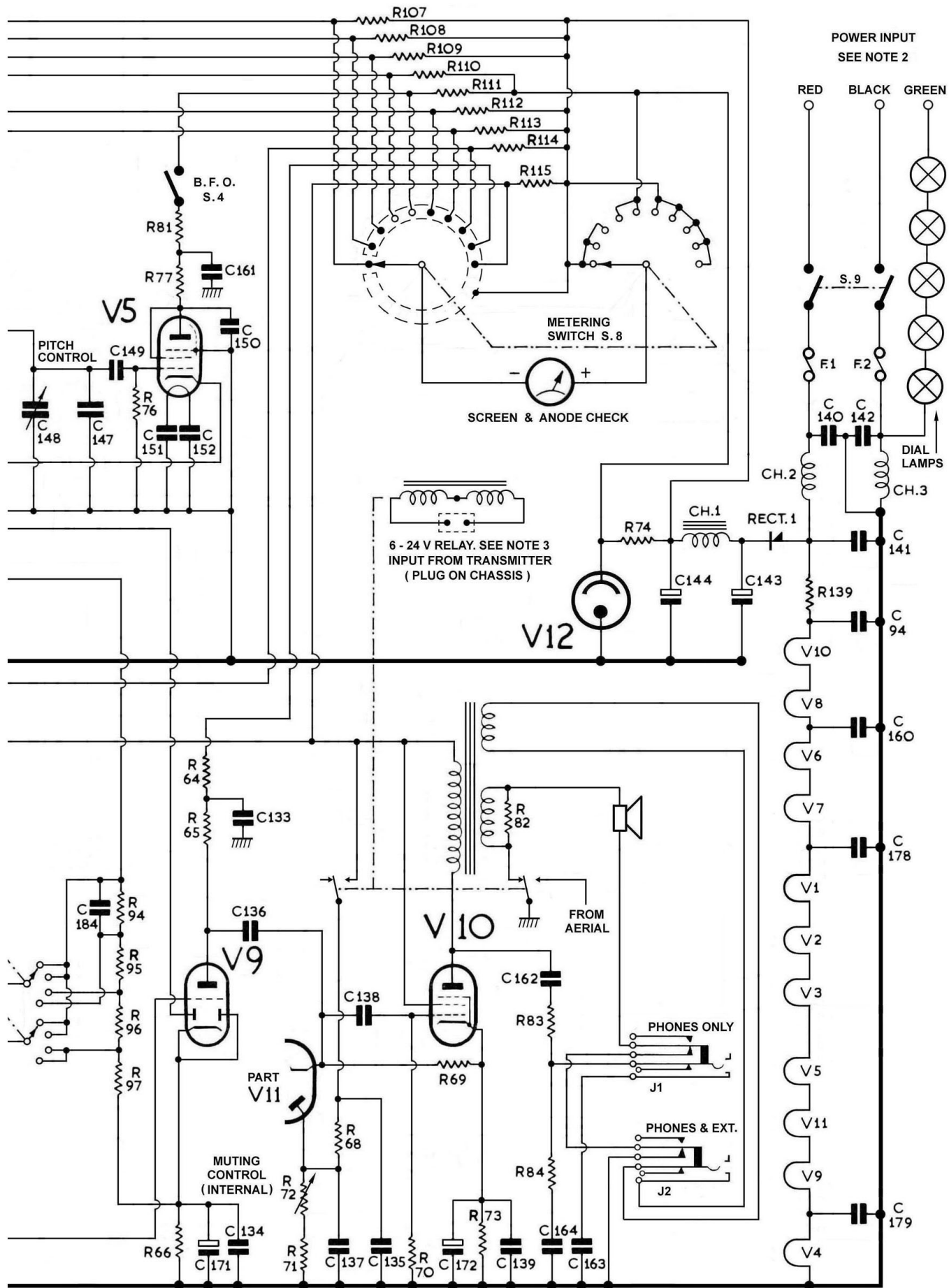
THE CHASSIS OF THIS RECEIVER MUST ALWAYS BE ISOLATED FROM TRUE EARTH. C2 PROVIDES THE R.F. EARTH AND IS CONNECTED TO THE CABINET BY A FLEXIBLE PLUG LEAD.

FREQUENCY RANGE SWITCH S.1









RADIO RECEIVER TYPE IMR54

INTERNATIONAL MARINE RADIO CO. LTD.